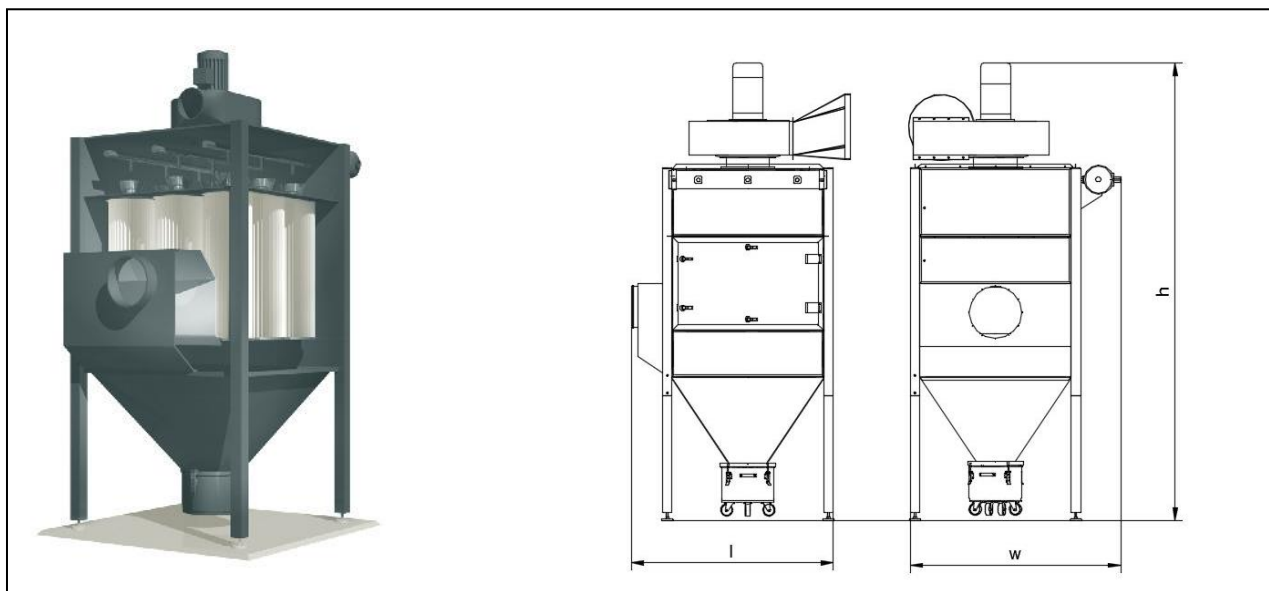


# DUSTMAC F-84

(663.084)

Voltage	(V)	400	Filter surface	(m <sup>2</sup> )	84
Motor	(kW)	5.5	No. of filter elements	(pc)	4
Ampere (400V/50Hz)	(A)	10.3	Filter material	dust classification M	
Rated Frequency	(Hz)	50	Weight	(kg)	550
Fuse	(A)	C 16	Intake	(mm)	315
Max. neg. pressure	(Pa)	3,400	Clean air discharge	(mm)	400
Max. airflow	(m <sup>3</sup> /h)	7,000	Dimensions (l x w x h)	(mm)	1,300 x 1,310 x 3,450
No. of magnet valves	(pc)	2	Dust collection bin	(litre)	50
Sound power level*	(dB)	78	Compressed air	(l/min)	(at 6 bar) 111

\*Measured according to the enveloping body method DIN EN ISO 3744 with an attached suction side piping and pressure side attached silencer. Measurement uncertainty noise approx. 4 dBA



## ESTA PLUS

### Application range:

Central systems with multiple extraction locations  
Large extraction hoods or cells, e.g. robotic welding stations  
Low and high-alloy steels and dust

### Your benefits at a glance

High performance welding fume extraction from multiple locations, from welding cells or from large extraction hoods  
Application specific design of the system  
Modular for future expansion  
Low operating costs with cleanable long life filter cartridges

### Characteristics:

Pulse-jet filter cleaning system  
Cleanable long life cartridge filters of dust classification M, antistatic

Special equipment with different filter cartridges,  
special voltage, special painting  
pre-separator possible

State of the art: 663084-51-02 Subject to change without notice! For remaining questions, please do not hesitate to contact us.